

# EYETRANSIT 24

Cost-effective, good function scalability device which designed for police vehicle surveillance, remote surveillance.

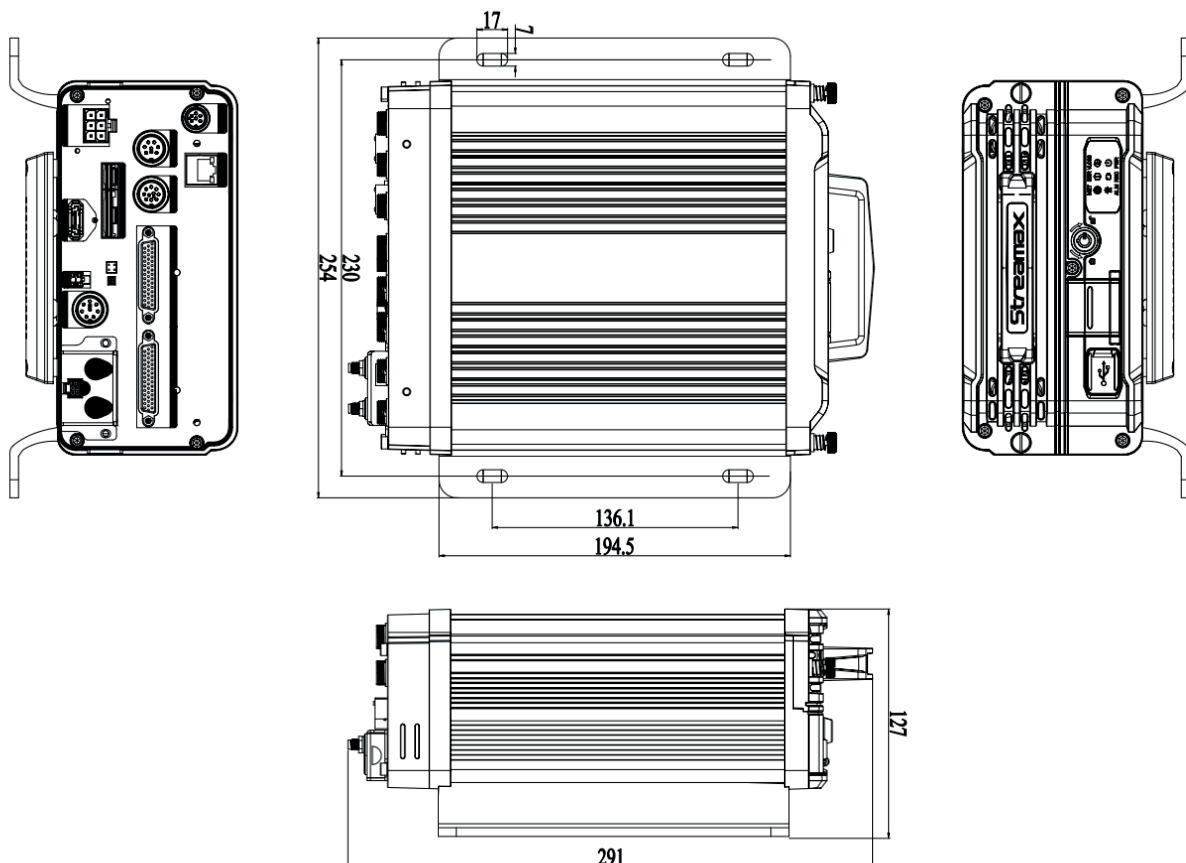


## Specification

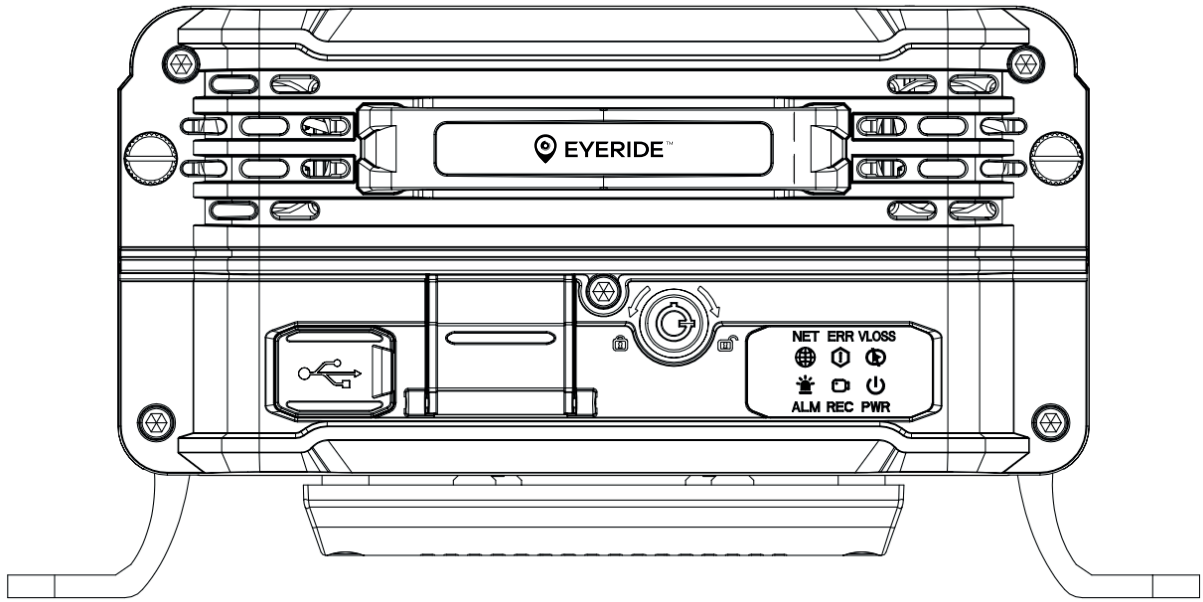
Series	EYETRANSIT 24
Basic	
CPU	Two ARM Cortex A53 dual @Max. 1.1GHz
RAM	2.5GB
OS	Linux
3G/4G	TDD-LTE/FDD-LTE/EVDO/TD-SCDMA/WCDMA
WIFI	802.11b/g/n/ac
Location	GPS
Storage	1*3.5inch HDD+1*M.2 SSD Or 2*2.5 SSD 1*SD card
G-sensor	Support
Interface	
Video/Audio input	16ch AHD+8ch POE IPC
Total resource	16CH*1080P@10fps AHD+8CH*1080P@30fps IPC 16CH*720P@25fps AHD+8CH*1080P@30fps IPC
Video output	1ch CVBS + 1ch VGA
Audio output	1ch
USB	Front panel :Type-A, USB3.0; Rear panel: Aviation connector, USB2.0
SD	1*SD
LAN	1*1000Mbps, RJ45
SIM	1*SIM
Sensor	8ch input, 2ch output
Amplifier	2ch output, Max: 2*20W

Serial	RS232*2, RS485*2
CAN	2*CAN
Speed	1*Speed
Power	
Power input	DC 9~36V
Power output	12V/0.5A, 5V/0.5A
Power consumption	<12W(DVR only), <95W(Standard)
Physical	
Dimension	291 (L) *254 (W) *127 (H) mm (without rear panel)
Weight	7.7Kg (without HDD)
Environment	
Working Temp.	-30°C~+55°C (with HDD) -30°C~+70°C (without HDD)
Storage Temp.	-40°C~+70°C

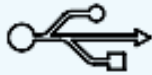
### Dimension



# Interface



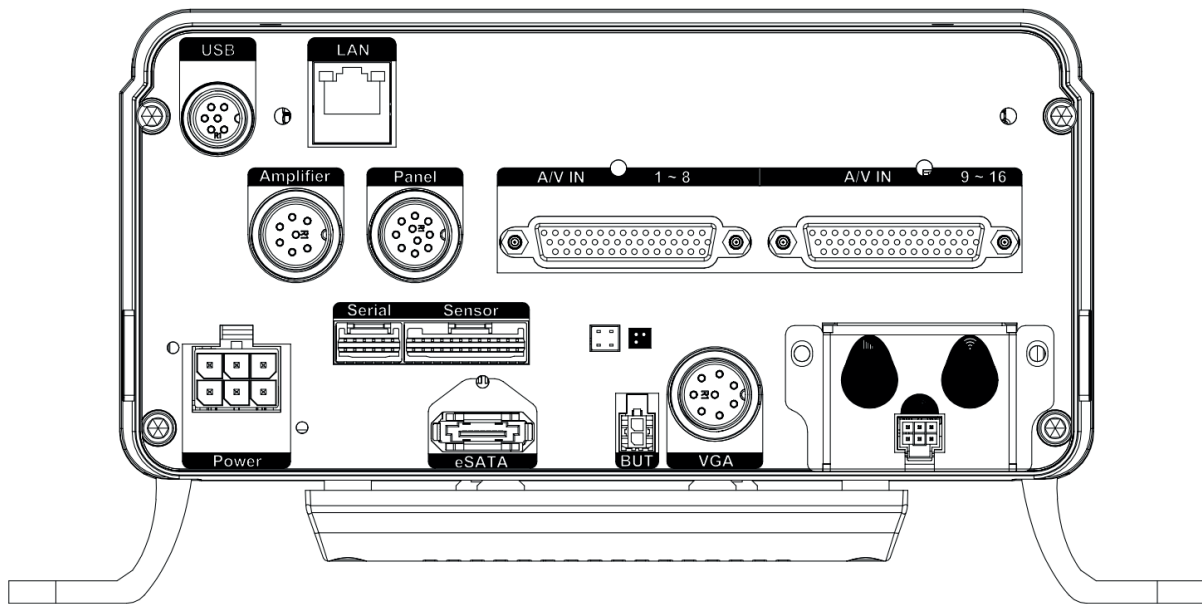
## Front panel







USB3.0



LEDs



Rear panel	
A/V IN1~8	AHD1-8
A/V IN9~16	AHD9-16
Power	Power input
Panel	Monitor connector
Amplifier	Amplifier output
VGA	VGA output
	GPS
	4G
	WIFI
	Debug
USB	USB port
LAN	LAN port
Serial	Serial port
Sensor	Sensor input
eSATA	eSATA
BUT	Panic button